

LK Electronics

Ing. Karolina Mikelinová, Spojovací 24, 326 00 Plzeň, Czech Republic

IČ: 016 650 49

Email: info@lkelectronics.cz

www.lkelectronics.cz

**PRODUCT-SPECIFICATIONS**

Code:

Customer Name _____

Customer'Part-Number _____

LK-Electronics-Part-Number **CL1105** _____

Issued-Number _____

Date _____

	“√”	CUSTOMER'SU SIGNATURE	DATE
APPROVED			
REJECTED			
PARTLY-APPROVED	REMARK		

1 Purpose

This specification sheet is to be supplied together with the samples to potential customers. Customers test the samples, and assess the test results to determine whether these samples meet the technical requirements.

2 Application

This product is for ISDN applications.

3 Technical Specification

3.1 Operating Temperature Range: 0°C -85°C

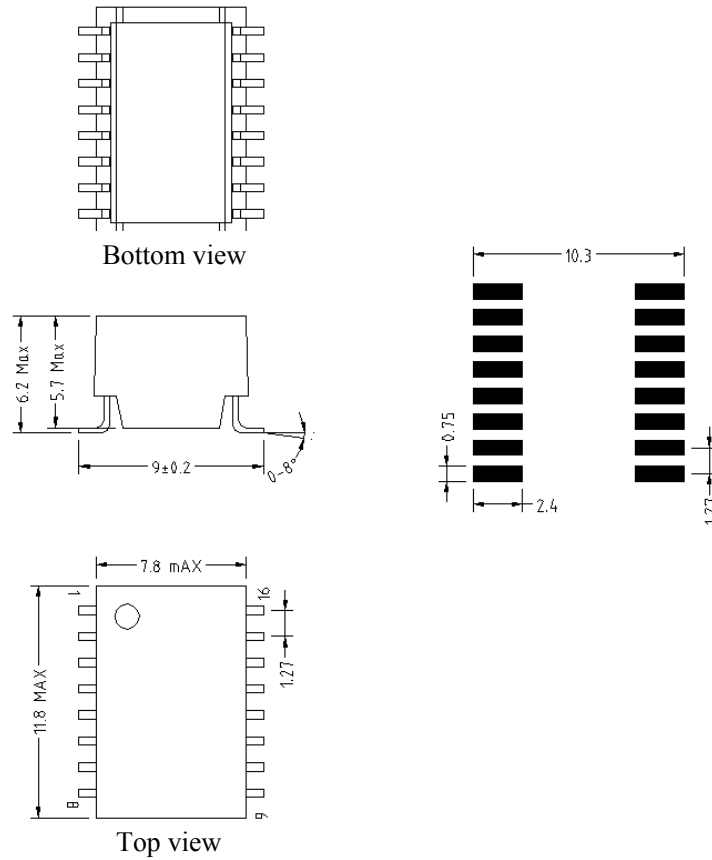
3.2 Technical Specifications (shown in Table-1)

Item		Condition	Spec.	PIN
HI-POT (Vrms)		1500VAC 1sec 0.5mA		1-15 & 7-10
OCL		10KHz 50mV	25mH Min.	1-2 & 7-8
	CHOKE		500uH +50% -30%	7-5 & 8-4 & 1-3 & 2-6
Turn Ratios			1:1:1:1 ±2%	10-9:9-11:7-12:12-8 & 15-16:16-14:1-13:13-2
	CHOKE		1:1:1:1 ±2%	7-5:8-4:1-3:2-6
DCR			3.4Ω ± 15%	1-2 & 7-8
			2.6Ω ± 15%	10-11 & 15-14
LL		100KHz 50mV	1uH Max.	1-2 short 14-15 & 7-8 short 10-11
CW/W		1KHz 50mV	100pF Max.	10-7 & 1-15

Table-1 Technical Specifications of CL1105

4 Mechanical

The product dimensions are shown in Figure-1 (unit: mm)



5 Schematic

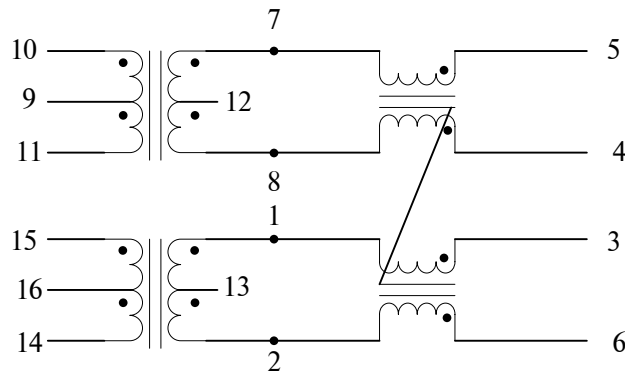


Figure-Schematic drawing of CL1105