



PRODUCT SPECIFICATION

CUSTOMER NAME

CUSTOMER PART NUMBER

LK ELECTRONICS PART NUMBER LK 3006

DATE

LK Electronics

Ing. Karolina Mikelinová, Spojovací 24, 326 00 Plzeň, Czech Republic

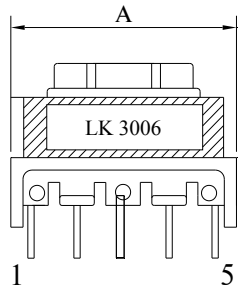
IČ: 016 650 49

Email: info@lkelectronics.cz

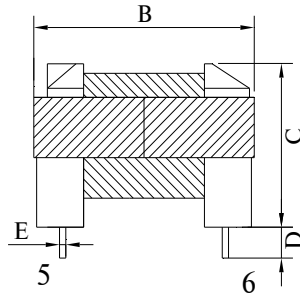
www.lkelectronics.cz

CUSTOMER		DESCRIPTION	INDUCTOR
----------	--	-------------	----------

1. OUTLINE DIMENSION(UNIT:mm):

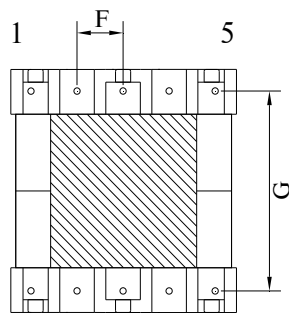


FRONT VIEW



SIDE VIEW

A	22.5MAX
B	22.5MAX
C	18.0MAX
D	3.5;0.5
E	φ 0.6NOM
F	3.8;0.5
G	15.2;0.5



BOTTOM VIEW

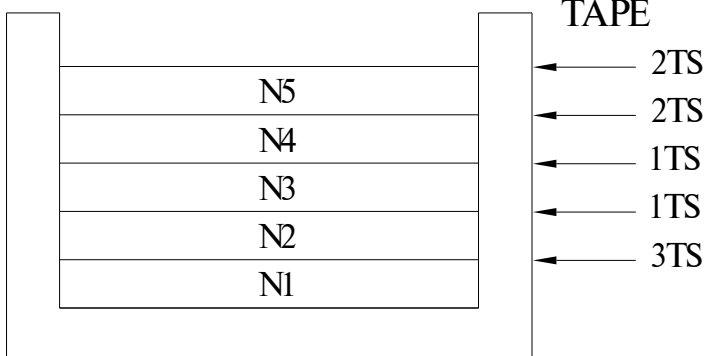
NOTE:

- 1.Core outer wrap tape 3Ts .
- 2.The product must be impregnated with varnish in the vacuum.

2. WINDING SCHEMATIC:

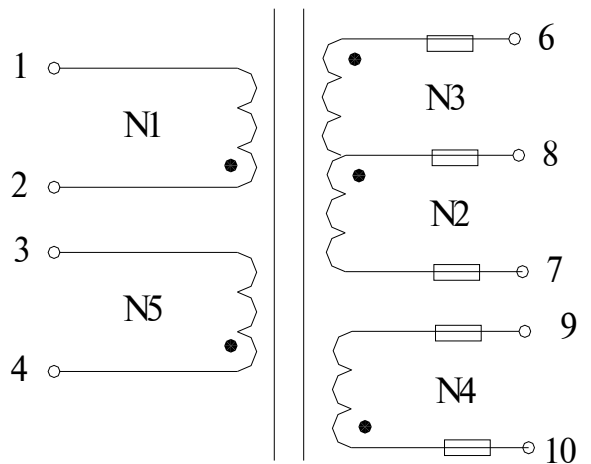
PIN1-5

PIN6-10




PRI

SEC



● START □ TUBE

	DRAWN BY	CHECKED BY	VERIFIED BY	APPROVED BY	CUSTOMER P/N	
					MODEL	LK 3006
					DATE	2013-10-11
					REV.NO.	A01
					PAGE	2/2